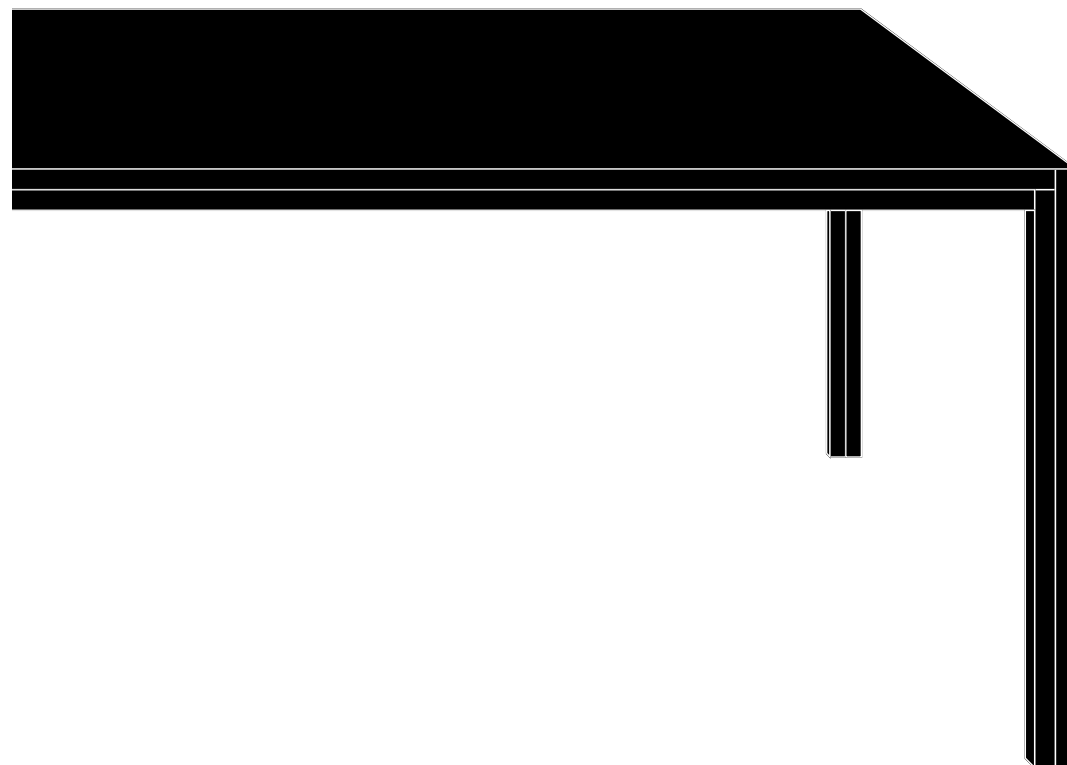


---

ESTABLISHED & SONS  
United Kingdom  
Phone +44 (0)20 7608 0990  
establishedandsons.com

ESTANDSONS LTD  
Estandsons Warehouse  
Intereuropa d.d.  
Mednarodni prehod 8,  
SI-5290 Šempeter pri Gorici,  
Slovenija

# TABLE CARUSO ST JOHN



---

# TABLE CARUSO ST JOHN

---

Caruso St John's architecture is known for fine detailing and intelligent use of materials, and Table shares those hallmarks, with layers of engineered timber creating a design that is both familiar and completely new.

## THE DESIGNER

Refined details and carefully chosen materials are hallmarks of Caruso St John's thoughtful approach to architecture. Founded by Adam Caruso and Peter St John in 1990, the practice began its rise to international prominence with the New Art Gallery in Walsall in 2000.



---

# General Information

---

IMPORTANT, RETAIN FOR FUTURE REFERENCE: READ CAREFULLY

---

DESIGN  
2008

MATERIALS  
Spruce lumber triboard, linoleum, Corian®

DIMENSIONS  
L2000mm × D900mm × H750mm  
L2200mm × D900mm × H750mm  
L2400mm × D900mm × H750mm  
L1800mm × D1800mm × H750mm

COLOURS  
Black linoleum, glacier white Corian®

DESCRIPTION  
Meeting, display or dining table

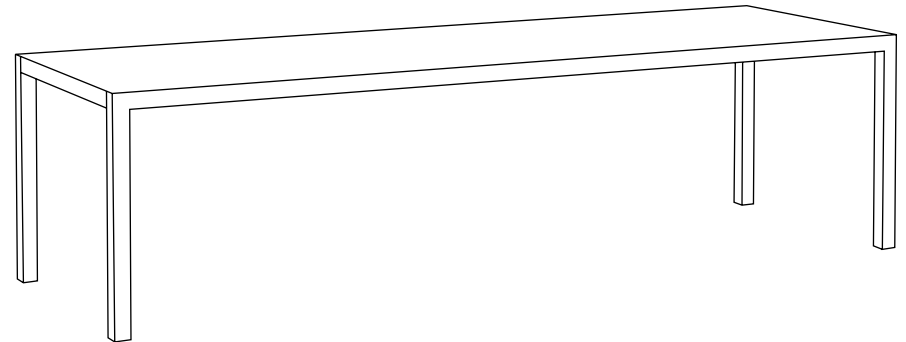
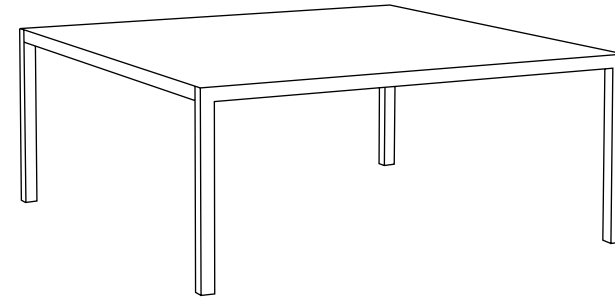
CORIAN® CLEANING GUIDELINES  
Any marks or stains on the Corian® surface can easily be removed using the following processes:  
For every day cleaning, use a damp cloth and a mild clean abrasive cleaner, or other common household degreaser, and clean in a circular motion.  
For tougher stains or light scratches use a Scotch-Brite abrasive cleaning pad and detergent in a circular motion followed by the process above.

LINOLEUM CLEANING GUIDELINES  
For every day cleaning, use a damp cloth and a mild household cleaner. Wipe the surface dry with a clean cloth.  
For tougher stains such as ink, use white spirit or methylated spirits.  
To prevent stubborn stains from forming it is recommended that coasters be placed under cups, glasses, flowerpots and vases.

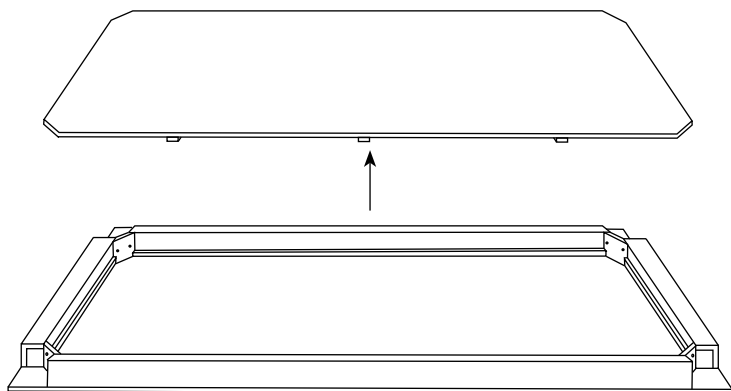
---

# Installation

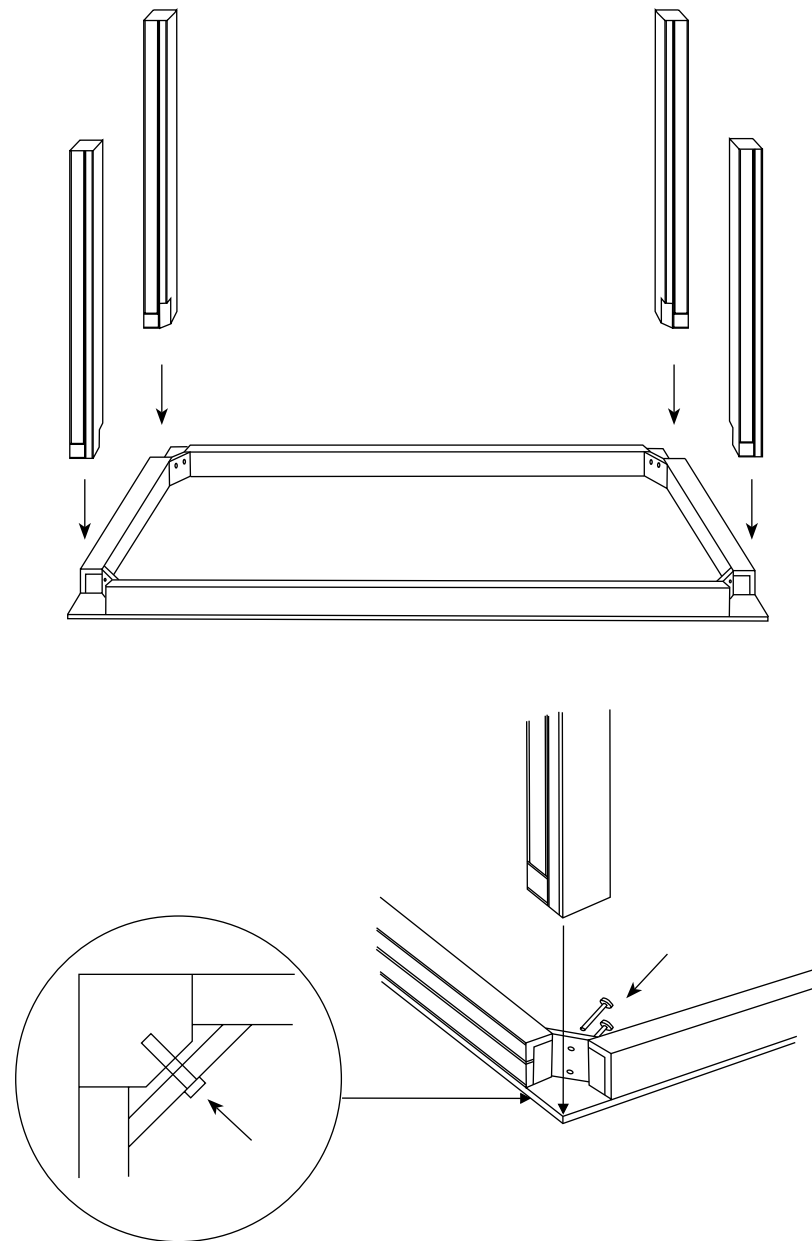
---



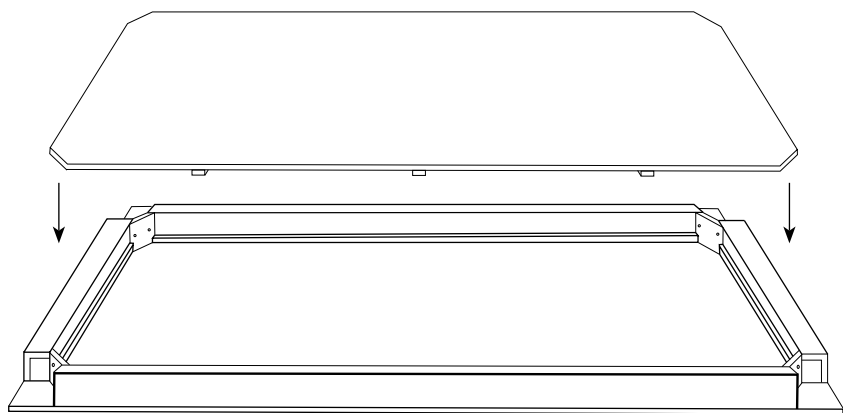
1. Take the table top out of the packaging very carefully and place, underside facing up, on a protected surface.
2. Carefully remove the underside cover from the bottom of the table top and place securely against a wall or on the floor.



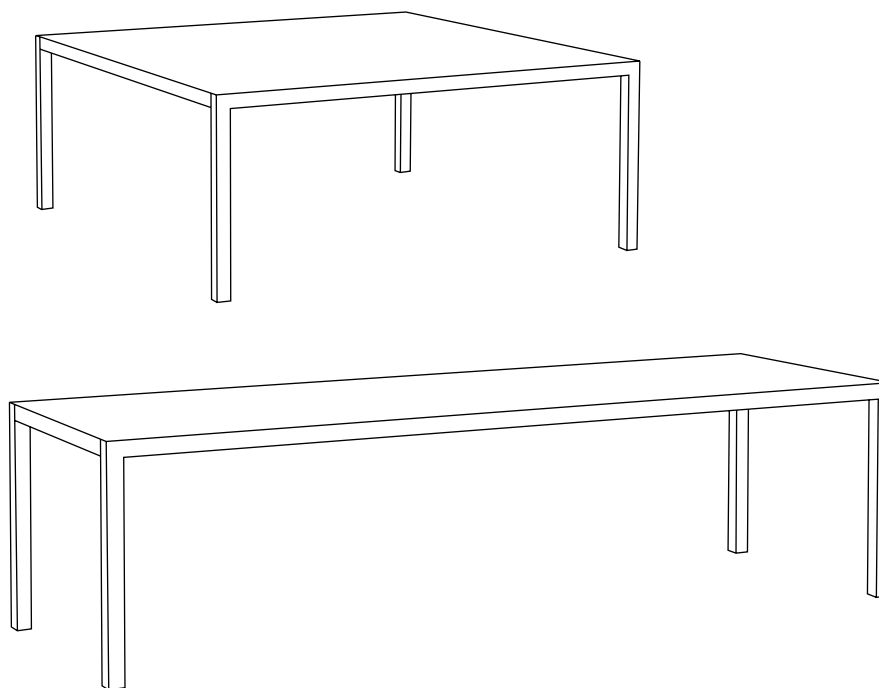
3. Attach the legs as per the illustration



- 
4. Reattach the underside cover by fitting onto the underside rim of the table top, slat side down and screwing to fix.
- 



- 
5. Turn assembled table over and place in designated space.
- 



---

# About Established & Sons

---

Established & Sons is a British brand representing all that is innovative in contemporary design. By supporting the best creators of our time, it has built a collection for people who are passionate about design, presenting imaginative products with style and personality.

Designers and artists are afforded the freedom to explore their own language, advancing pioneering ideas that deliver exceptional furniture and lighting collections. Combined with Established & Sons' commitment to skilled craftsmanship and cutting-edge manufacturing techniques, this produces intelligent designs that are at the same time diverse in the extreme and united in their quest for the extraordinary.

The Established & Sons collection includes some of the most important examples of 21st-century design. Many of the pieces have been acquired by international museums, galleries, institutions and private collections.

Follow us on [Instagram](#)